



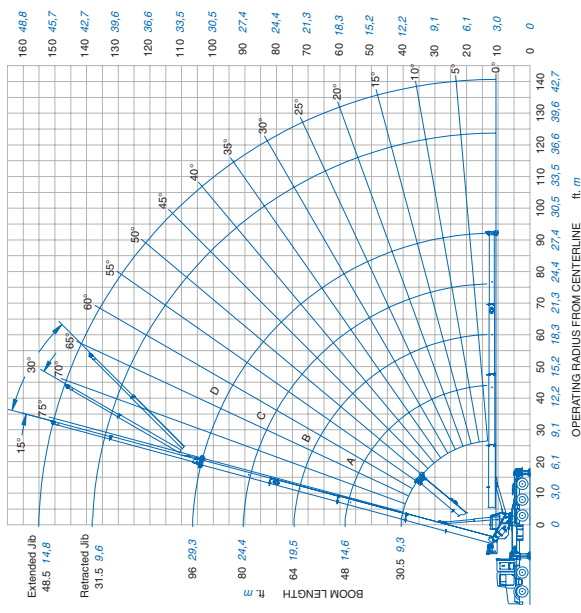
model 4596T

BOOM TRUCK

features

- Maximum Lift Capacity of 90,000 lbs at 8' (2,4m)
- 4-Section 96' (29,3m) Proportional Boom
- Maximum Sheave Height of 155' (47,2m)
- Two Speed Planetary Grooved Drum Hoist with Rope Tensioner
- Swing Around Operator Control Station
- Fully Enclosed Cab with Diesel Heater
- 4 Hydraulic Single-Axis Low Effort Boom Controls
- Radio Remote Outrigger Controls with Audible Outrigger and Motion Alarm
- Continuous rotation
- Free Swing
- Hydraulic Oil Cooler
- ACCU-Swing
- Teflon Impregnated Boom Slider Pads
- Sub-Frame for Tractor 5th Wheel (5th wheel not included)
- Air Foot Throttle
- 360° Work Area (Requires F.B.S.)
- Load Moment Indicator with Digital Display, CAN bus, Overload Shutdown and Internal Boom Length Cable
- Radio ATB
- Rugged, Weatherproof, Automotive Style Electrical System
- System Pressure Gauge
- Unparalleled Machine Stability
- Heavy Duty Sub-Frame
- Clamp-On Mounting
- Design Meets ANSI A92.2 and ANSI B30.5 Recommendations
- Manitex **Uptime** Comprehensive Support





Meets ANSI B30.5 Requirements - Do not operate crane or accessories with 10' (3.05m) of live power lines.

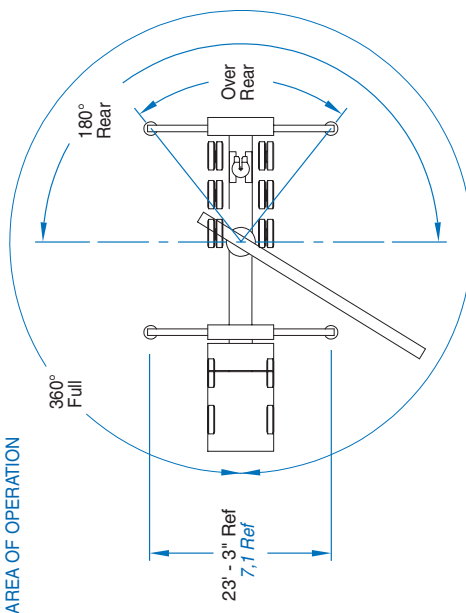
NOTICE: This chart is for reference only and must not be used for lifting purposes. Consult factory for other boom options.

OUTRIGGER AND STABILIZERS FULLY EXTENDED - MODEL 4596T

MAIN BOOM LOAD RATINGS

Operating Radius Feet Meters	Boom Length 30.5 Feet 9.3 Meters			Boom Length 48 Feet 14.6 Meters (A)			Boom Length 64 Feet 19.5 Meters (B)		
	Over Rear	180° Rear	360° Full	Over Rear	180° Rear	360° Full	Over Rear	180° Rear	360° Full
	lb. kg.	lb. kg.	lb. kg.	lb. kg.	lb. kg.	lb. kg.	lb. kg.	lb. kg.	lb. kg.
5	89,990	89,990	89,990						
1.52	48,819	48,819	48,819						
8	89,990	89,990	80,100						
2.44	48,819	48,819	36,333						
10	80,000	80,000	71,300	51,000	51,000	51,000			
3.05	36,287	36,287	33,158	23,133	23,133	23,133			
12	70,000	70,000	64,200	51,000	51,000	51,000			
3.66	31,752	31,752	29,121	23,133	23,133	23,133			
15	56,000	56,000	52,100	51,000	51,000	51,000	40,000	40,000	40,000
4.57	25,401	25,401	23,632	23,133	23,133	23,133	18,143	18,143	18,143
20	41,800	41,800	38,200	42,500	42,500	39,100	37,650	37,650	37,650
6.10	18,960	18,960	17,327	19,278	19,278	17,735	17,077	17,077	17,077
25				35,100	35,100	24,840	30,430	30,430	25,450
7.62				15,921	15,921	11,267	13,802	13,802	11,543
30				29,320	29,320	16,790	27,040	27,040	17,330
9.14				13,299	13,299	7,615	12,265	12,265	7,860
35				24,420	22,110	12,170	24,130	22,620	12,680
10.67				11,076	10,028	5,520	10,945	10,260	5,751
40				20,690	17,330	9,140	21,110	17,850	9,660
12.19				9,384	7,860	4,145	9,575	8,096	4,381
45							18,220	14,500	7,540
13.72							8,264	6,577	3,420
50							15,890	12,020	5,960
15.24							9,384	5,452	2,703
55							13,960	10,090	4,730
16.76							6,332	4,576	2,145

AREA OF OPERATION



USE THIS CHART ONLY WHEN OUTRIGGERS & STABILIZERS ARE FULLY EXTENDED.

OUTRIGGER AND STABILIZERS FULLY EXTENDED - MODEL 4596T

MAIN BOOM LOAD RATINGS

Operating Radius Feet Meters	Boom Length 80 Feet 24.4 Meters (C)			Boom Length 96 Feet 29.3 Meters (D)		
	Over Rear	180° Rear	360° Full	Over Rear	180° Rear	360° Full
	lb. kg.	lb. kg.	lb. kg.	lb. kg.	lb. kg.	lb. kg.
20	27,500	27,500	27,500			
6.1	12,473	12,473	12,473			
25	24,300	24,300	24,300	18,000	18,000	18,000
7.6	11,022	11,022	11,022	8,164	8,164	8,164
30	21,280	21,280	17,630	17,500	17,500	17,500
9.1	9,652	9,652	7,996	7,937	7,937	7,937
35	19,050	19,050	12,950	16,240	16,240	13,130
10.7	8,640	8,640	5,874	7,366	7,366	5,955
40	16,980	16,980	9,920	14,660	14,660	10,090
12.2	7,702	7,702	4,499	6,649	6,649	4,576
45	15,250	14,760	7,790	13,280	13,280	7,950
13.7	6,917	6,695	3,533	6,023	6,023	3,606
50	13,800	12,280	6,220	12,130	12,130	6,370
15.2	6,259	5,570	3,002	5,502	5,502	2,889
55	12,550	10,370	5,010	11,080	10,520	5,160
16.8	5,692	4,703	4,145	8,264	4,771	3,420
60	11,480	8,840	4,040	10,190	9,000	4,190
18.3	5,198	4,009	1,832	9,384	4,082	2,703
65	10,520	7,600	3,250	7,760	7,760	3,400
19.8	4,771	3,447	1,474	6,332	3,519	2,145
70	9,960	6,560	2,580	4,000	6,730	2,750
21.3	4,517	2,975	1,170	3,052	1,247	1,247
75				3,696	5,860	2,190
22.9				3,696	2,658	993
80				5,120	5,120	1,720
24.4				3,415	2,322	780
85				6,990	4,470	1,300
25.9				3,170	2,027	589
90				6,080	3,880	920
27.4				2,757	1,759	417