

# Load Rating Chart

***Model 40124SHL***

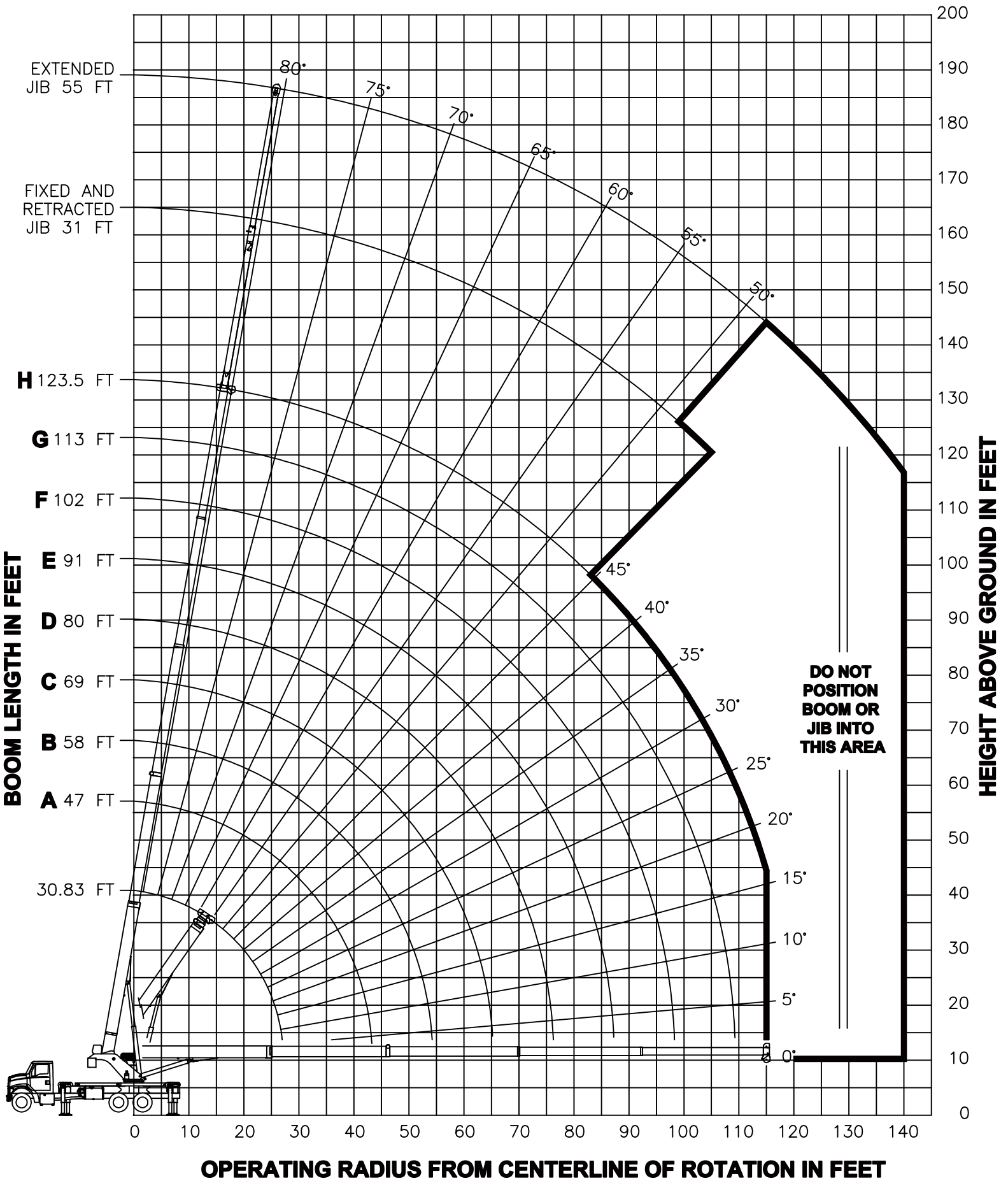


© Manitex 2000

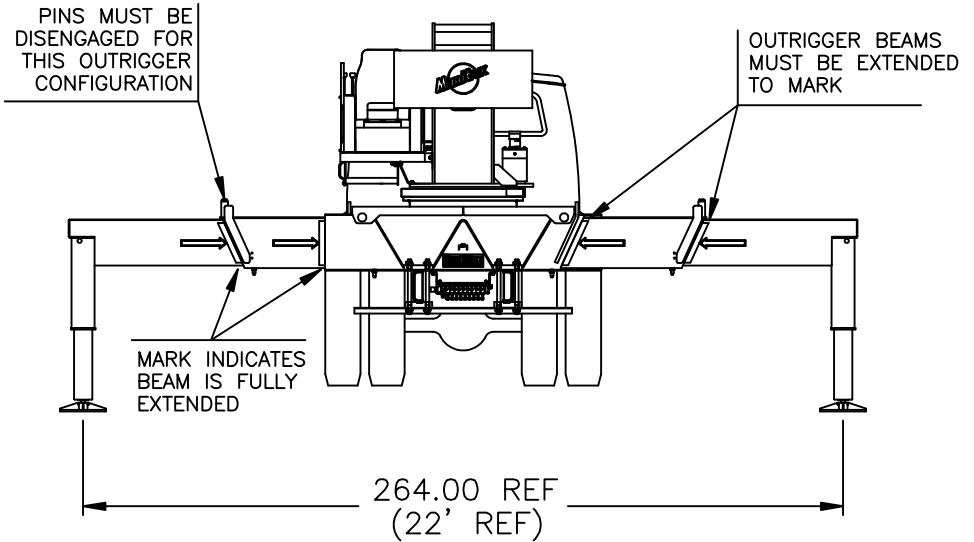
---

**NOTE:** Additional copies of this Load Rating Chart can be purchased from your Manitex Distributor. When ordering, use the part number shown in the bottom left corner of this page.

# RANGE DIAGRAM - FULLY EXTENDED OUTRIGGER CONFIGURATION -



**USE THIS CHART ONLY  
WHEN ALL  
OUTRIGGERS ARE  
FULLY EXTENDED**

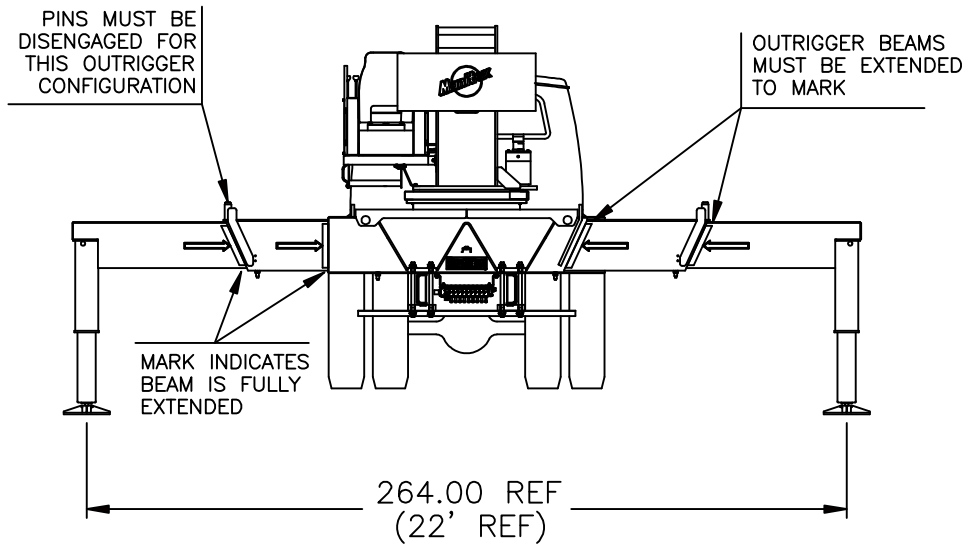


**- FULLY EXTENDED OUTRIGGER CONFIGURATION -**

| MAIN BOOM LMI CODE 1 |           |                     |           |                     |           |                     |           |                     |           |                     |           |                     |            |                     |            |                     |              |                     |                  |
|----------------------|-----------|---------------------|-----------|---------------------|-----------|---------------------|-----------|---------------------|-----------|---------------------|-----------|---------------------|------------|---------------------|------------|---------------------|--------------|---------------------|------------------|
| LOAD RADIUS (FT)     | 30.833 FT |                     | 47 FT (A) |                     | 58 FT (B) |                     | 69 FT (C) |                     | 80 FT (D) |                     | 91 FT (E) |                     | 102 FT (F) |                     | 113 FT (G) |                     | 123.5 FT (H) |                     | LOAD RADIUS (FT) |
|                      | ∠         | LOAD CAPACITY (LBS) | ∠         | LOAD CAPACITY (LBS) | ∠         | LOAD CAPACITY (LBS) | ∠         | LOAD CAPACITY (LBS) | ∠         | LOAD CAPACITY (LBS) | ∠         | LOAD CAPACITY (LBS) | ∠          | LOAD CAPACITY (LBS) | ∠          | LOAD CAPACITY (LBS) | ∠            | LOAD CAPACITY (LBS) |                  |
| 5                    | 75        | 80000               |           |                     |           |                     |           |                     |           |                     |           |                     |            |                     |            |                     |              |                     | 5                |
| 8                    | 69        | 60500               |           |                     |           |                     |           |                     |           |                     |           |                     |            |                     |            |                     |              |                     | 8                |
| 10                   | 64        | 52550               | 74        | 25000               |           |                     |           |                     |           |                     |           |                     |            |                     |            |                     |              |                     | 10               |
| 12                   | 60        | 46600               | 72        | 25000               | 76        | 25000               | 79        | 25000               |           |                     |           |                     |            |                     |            |                     |              |                     | 12               |
| 15                   | 53        | 39600               | 68        | 25000               | 73        | 25000               | 76        | 25000               | 79        | 21500               |           |                     |            |                     |            |                     |              |                     | 15               |
| 20                   | 40        | 31330               | 61        | 25000               | 67        | 25000               | 72        | 23900               | 75        | 19700               | 78        | 17100               | 79         | 14500               |            |                     |              |                     | 20               |
| 25                   | 22        | 24100               | 53        | 24010               | 62        | 22840               | 67        | 21650               | 71        | 18200               | 74        | 15850               | 77         | 13500               | 78         | 10910               | 80           | 8450                | 25               |
| 30                   |           |                     | 45        | 20260               | 56        | 19550               | 63        | 18720               | 67        | 16250               | 71        | 14530               | 74         | 12820               | 76         | 10430               | 78           | 8150                | 30               |
| 35                   |           |                     | 36        | 15850               | 49        | 16100               | 58        | 16130               | 63        | 14540               | 68        | 12960               | 71         | 11380               | 73         | 9540                | 75           | 7800                | 35               |
| 40                   |           |                     | 22        | 12630               | 42        | 12900               | 52        | 13060               | 59        | 13070               | 64        | 11610               | 68         | 10160               | 71         | 8680                | 72           | 7280                | 40               |
| 45                   |           |                     |           |                     | 34        | 10540               | 47        | 10700               | 55        | 10800               | 60        | 10600               | 65         | 9370                | 68         | 8040                | 70           | 6780                | 45               |
| 50                   |           |                     |           |                     | 23        | 8720                | 40        | 8890                | 50        | 9000                | 56        | 9070                | 61         | 8430                | 65         | 7260                | 67           | 6160                | 50               |
| 55                   |           |                     |           |                     |           |                     | 34        | 7460                | 45        | 7570                | 52        | 7640                | 58         | 7620                | 62         | 6550                | 65           | 5540                | 55               |
| 60                   |           |                     |           |                     |           |                     | 24        | 6280                | 39        | 6400                | 48        | 6480                | 54         | 6530                | 59         | 5930                | 62           | 5000                | 60               |
| 65                   |           |                     |           |                     |           |                     | 6         | 5270                | 33        | 5430                | 43        | 5510                | 51         | 5570                | 56         | 5380                | 59           | 4520                | 65               |
| 70                   |           |                     |           |                     |           |                     |           |                     | 25        | 4610                | 38        | 4700                | 47         | 4760                | 53         | 4790                | 57           | 4090                | 70               |
| 75                   |           |                     |           |                     |           |                     |           |                     | 12        | 3900                | 32        | 4010                | 42         | 4060                | 49         | 4100                | 54           | 3700                | 75               |
| 80                   |           |                     |           |                     |           |                     |           |                     |           |                     | 25        | 3400                | 37         | 3470                | 45         | 3510                | 51           | 3350                | 80               |
| 85                   |           |                     |           |                     |           |                     |           |                     |           |                     | 15        | 2860                | 32         | 2940                | 41         | 2990                | 47           | 3020                | 85               |
| 90                   |           |                     |           |                     |           |                     |           |                     |           |                     |           |                     | 26         | 2480                | 37         | 2530                | 44           | 2560                | 90               |
| 95                   |           |                     |           |                     |           |                     |           |                     |           |                     |           |                     | 17         | 2060                | 32         | 2120                | 40           | 2150                | 95               |
| 100                  |           |                     |           |                     |           |                     |           |                     |           |                     |           |                     |            |                     | 26         | 1750                | 36           | 1790                | 100              |
| 105                  |           |                     |           |                     |           |                     |           |                     |           |                     |           |                     |            |                     | 18         | 1410                | 31           | 1460                | 105              |
| 110                  |           |                     |           |                     |           |                     |           |                     |           |                     |           |                     |            |                     |            |                     | 26           | 1160                | 110              |
| 115                  |           |                     |           |                     |           |                     |           |                     |           |                     |           |                     |            |                     |            |                     | 19           | 880                 | 115              |
| 120                  |           |                     |           |                     |           |                     |           |                     |           |                     |           |                     |            |                     |            |                     |              |                     | 120              |
|                      | 450 LBS   | 300 LBS             | 240 LBS   | 200 LBS             | 180 LBS   | 160 LBS             | 140 LBS   | 130 LBS             | 120 LBS   | 120 LBS             | 120 LBS   | 120 LBS             | 120 LBS    | 120 LBS             | 120 LBS    | 120 LBS             | 120 LBS      | 120 LBS             | STOWED FIXED JIB |
|                      | 840 LBS   | 560 LBS             | 450 LBS   | 380 LBS             | 330 LBS   | 290 LBS             | 260 LBS   | 230 LBS             | 210 LBS   | 210 LBS             | 210 LBS   | 210 LBS             | 210 LBS    | 210 LBS             | 210 LBS    | 210 LBS             | 210 LBS      | 210 LBS             | STOWED TELE JIB  |

**DEDUCTIONS FROM MAIN BOOM  
CAPACITIES FOR STOWED JIBS**

**USE THIS CHART ONLY  
WHEN ALL  
OUTRIGGERS ARE  
FULLY EXTENDED**

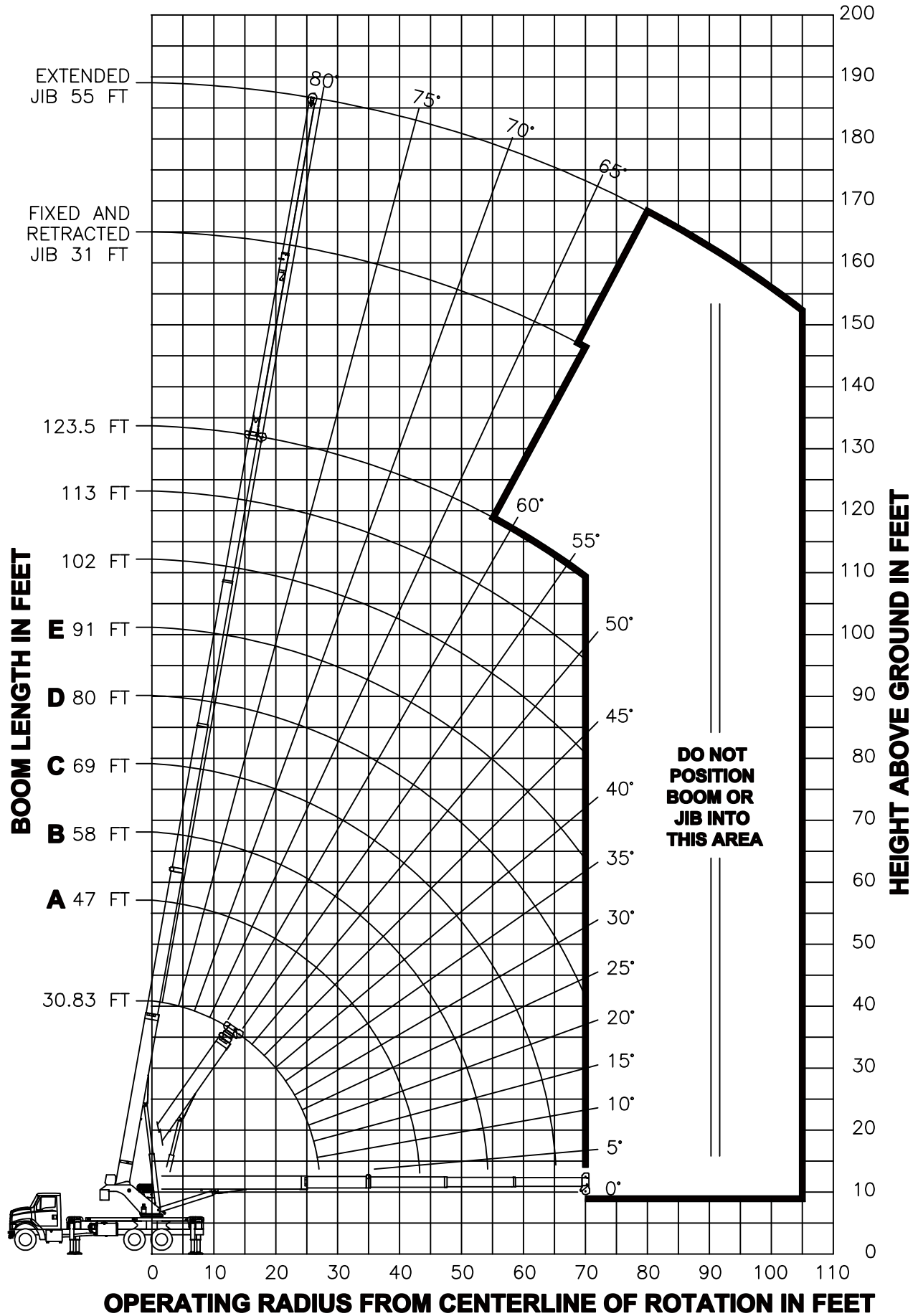


**- FULLY EXTENDED OUTRIGGER CONFIGURATION -**

**JIB LOAD CAPACITIES**

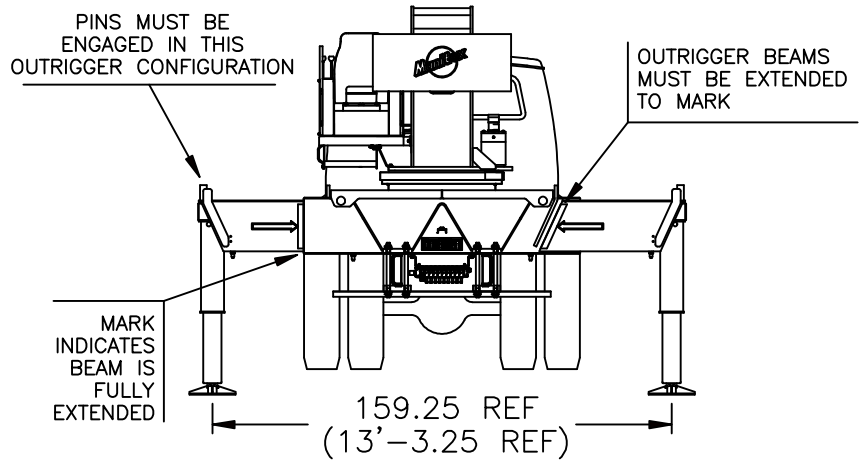
| LOAD RADIUS<br>(FT) REF | 31 FT FIXED JIB<br>LMI CODE 32   |                           | 30.5 FT TELE JIB<br>LMI CODE 7   |                           | 55 FT TELE JIB<br>LMI CODE 13    |                           | LOAD RADIUS<br>(FT) REF |
|-------------------------|----------------------------------|---------------------------|----------------------------------|---------------------------|----------------------------------|---------------------------|-------------------------|
|                         | LOADED<br>BOOM<br>ANGLE<br>(DEG) | LOAD<br>CAPACITY<br>(LBS) | LOADED<br>BOOM<br>ANGLE<br>(DEG) | LOAD<br>CAPACITY<br>(LBS) | LOADED<br>BOOM<br>ANGLE<br>(DEG) | LOAD<br>CAPACITY<br>(LBS) |                         |
| 30                      | 80                               | 4000                      | 79.5                             | 3300                      |                                  |                           | 30                      |
| 35                      | 78                               | 3850                      | 77.5                             | 3300                      | 79.5                             | 2450                      | 35                      |
| 40                      | 76                               | 3700                      | 76                               | 3300                      | 78                               | 2450                      | 40                      |
| 45                      | 74                               | 3550                      | 74                               | 3300                      | 76.5                             | 2450                      | 45                      |
| 50                      | 72                               | 3400                      | 72                               | 3300                      | 75                               | 2450                      | 50                      |
| 55                      | 70                               | 3250                      | 70.5                             | 3300                      | 73                               | 2450                      | 55                      |
| 60                      | 68                               | 3080                      | 68.5                             | 3300                      | 71.5                             | 2450                      | 60                      |
| 65                      | 66                               | 2910                      | 66.5                             | 3070                      | 70                               | 2420                      | 65                      |
| 70                      | 64                               | 2750                      | 64.5                             | 2750                      | 68                               | 2260                      | 70                      |
| 75                      | 62                               | 2600                      | 62                               | 2380                      | 66                               | 2110                      | 75                      |
| 80                      | 60                               | 2460                      | 60                               | 2050                      | 64.5                             | 1940                      | 80                      |
| 85                      | 58                               | 2320                      | 58                               | 1760                      | 63                               | 1750                      | 85                      |
| 90                      | 55                               | 2170                      | 55.5                             | 1500                      | 61                               | 1580                      | 90                      |
| 95                      | 53                               | 1930                      | 53                               | 1260                      | 59                               | 1440                      | 95                      |
| 100                     | 51                               | 1720                      | 50.5                             | 1050                      | 57                               | 1280                      | 100                     |
| 105                     | 48                               | 1530                      | 48                               | 850                       | 55                               | 1100                      | 105                     |
| 110                     | 45                               | 1350                      |                                  |                           | 53                               | 930                       | 110                     |
| 115                     | 43                               | 1200                      |                                  |                           | 51                               | 770                       | 115                     |
| 120                     | 40                               | 1020                      |                                  |                           |                                  |                           | 120                     |
| 125                     | 36                               | 800                       |                                  |                           |                                  |                           | 125                     |
| 130                     |                                  |                           |                                  |                           |                                  |                           | 130                     |

# RANGE DIAGRAM - INTERMEDIATE OUTRIGGER CONFIGURATION -



**NOTE :** LIFTING PERSONNEL WITH CRANE IN THIS OUTRIGGER CONFIGURATION IS STRICTLY PROHIBITED. USE ONLY FULLY EXTENDED OUTRIGGER CONFIGURATION WHEN LIFTING PERSONNEL.

**USE THIS CHART ONLY  
WHEN ALL  
OUTRIGGERS ARE IN  
THE INTERMEDIATE  
POSITION**



**- INTERMEDIATE OUTRIGGER CONFIGURATION -**

**MAIN BOOM LMI CODE 4**

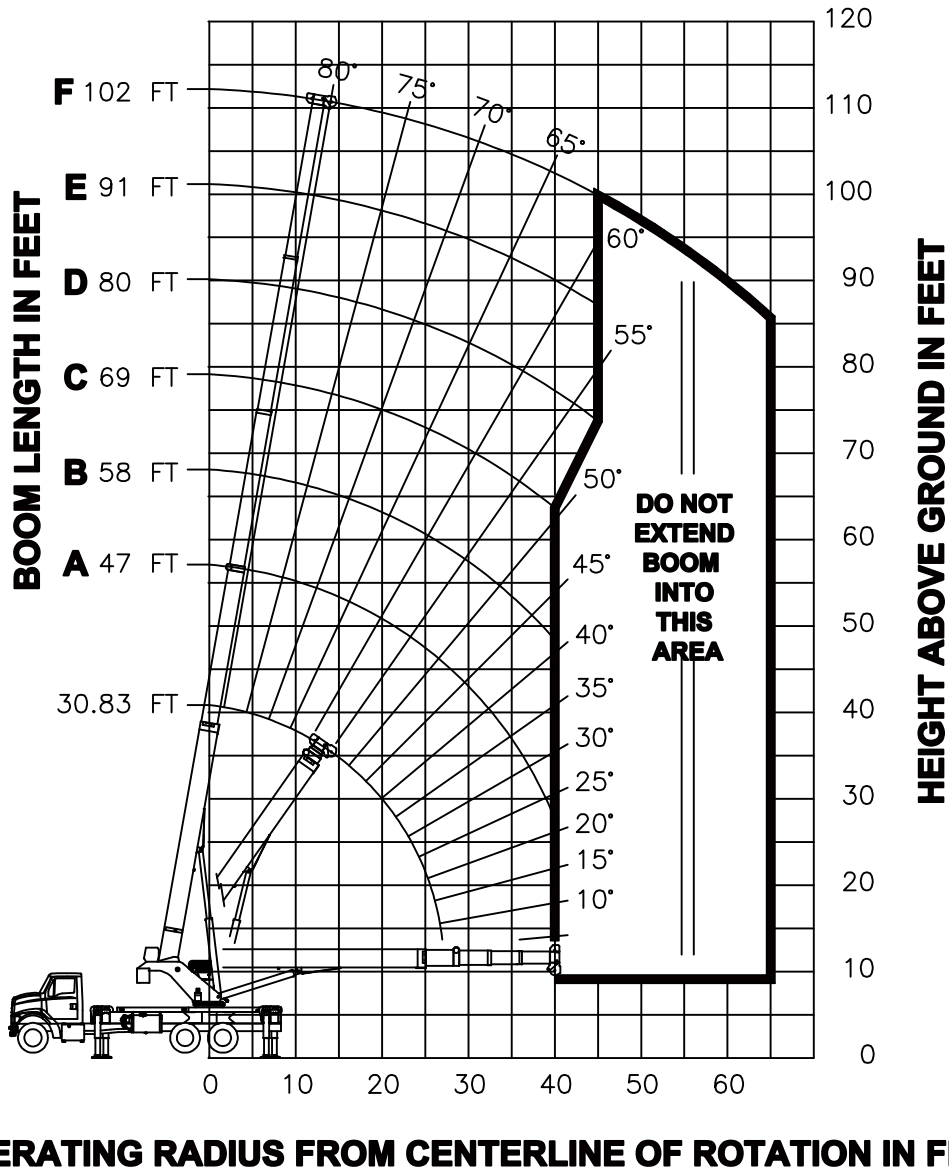
| LOAD RADIUS (FT) | 30.833 FT |                     | 47 FT (A) |                     | 58 FT (B) |                     | 69 FT (C) |                     | 80 FT (D) |                     | 91 FT (E) |                     | 102 FT (F) |                     | 113 FT (G) |                     | 123.5 FT (H) |                     | LOAD RADIUS (FT) |
|------------------|-----------|---------------------|-----------|---------------------|-----------|---------------------|-----------|---------------------|-----------|---------------------|-----------|---------------------|------------|---------------------|------------|---------------------|--------------|---------------------|------------------|
|                  | ∠         | LOAD CAPACITY (LBS) | ∠         | LOAD CAPACITY (LBS) | ∠         | LOAD CAPACITY (LBS) | ∠         | LOAD CAPACITY (LBS) | ∠         | LOAD CAPACITY (LBS) | ∠         | LOAD CAPACITY (LBS) | ∠          | LOAD CAPACITY (LBS) | ∠          | LOAD CAPACITY (LBS) | ∠            | LOAD CAPACITY (LBS) |                  |
| 5                | 75        | 80000               |           |                     |           |                     |           |                     |           |                     |           |                     |            |                     |            |                     |              |                     | 5                |
| 8                | 69        | 60500               |           |                     |           |                     |           |                     |           |                     |           |                     |            |                     |            |                     |              |                     | 8                |
| 10               | 64        | 52550               | 74        | 25000               |           |                     |           |                     |           |                     |           |                     |            |                     |            |                     |              |                     | 10               |
| 12               | 60        | 46600               | 72        | 25000               | 76        | 25000               | 79        | 25000               |           |                     |           |                     |            |                     |            |                     |              |                     | 12               |
| 15               | 53        | 36000               | 68        | 25000               | 73        | 25000               | 76        | 25000               | 79        | 21500               |           |                     |            |                     |            |                     |              |                     | 15               |
| 20               | 40        | 20410               | 61        | 21220               | 67        | 21480               | 72        | 21650               | 75        | 19700               | 78        | 17100               | 79         | 14500               |            |                     |              |                     | 20               |
| 25               | 22        | 13230               | 53        | 14050               | 62        | 14290               | 67        | 14440               | 71        | 14550               | 74        | 14630               | 77         | 13500               | 78         | 10910               | 80           | 8450                | 25               |
| 30               |           |                     | 45        | 9930                | 56        | 10170               | 63        | 10320               | 67        | 10420               | 71        | 10490               | 74         | 10540               | 76         | 10430               | 78           | 8150                | 30               |
| 35               |           |                     | 36        | 7250                | 49        | 7490                | 58        | 7640                | 63        | 7740                | 68        | 7810                | 71         | 7860                | 73         | 7900                | 75           | 7800                | 35               |
| 40               |           |                     | 22        | 5350                | 42        | 5610                | 52        | 5760                | 59        | 5860                | 64        | 5930                | 68         | 5980                | 71         | 6010                | 72           | 6040                | 40               |
| 45               |           |                     |           |                     | 34        | 4220                | 47        | 4370                | 55        | 4470                | 60        | 4530                | 65         | 4580                | 68         | 4620                | 70           | 4650                | 45               |
| 50               |           |                     |           |                     | 23        | 3120                | 40        | 3290                | 50        | 3390                | 56        | 3460                | 61         | 3510                | 65         | 3550                | 67           | 3570                | 50               |
| 55               |           |                     |           |                     |           |                     | 34        | 2430                | 45        | 2540                | 52        | 2610                | 58         | 2660                | 62         | 2690                | 65           | 2720                | 55               |
| 60               |           |                     |           |                     |           |                     | 24        | 1730                | 39        | 1840                | 48        | 1920                | 54         | 1970                | 59         | 2000                | 62           | 2030                | 60               |
| 65               |           |                     |           |                     |           |                     | 6         | 1110                | 33        | 1260                | 43        | 1340                | 51         | 1390                | 56         | 1430                | 59           | 1450                | 65               |
| 70               |           |                     |           |                     |           |                     |           |                     | 25        | 770                 | 38        | 850                 | 47         | 900                 | 53         | 940                 | 57           | 970                 | 70               |
| 75               |           |                     |           |                     |           |                     |           |                     |           |                     |           |                     |            |                     |            |                     |              |                     | 75               |
|                  |           | 450 LBS             |           | 300 LBS             |           | 240 LBS             |           | 200 LBS             |           | 180 LBS             |           | 160 LBS             |            | 140 LBS             |            | 130 LBS             |              | 120 LBS             | STOWED FIXED JIB |
|                  |           | 840 LBS             |           | 560 LBS             |           | 450 LBS             |           | 380 LBS             |           | 330 LBS             |           | 290 LBS             |            | 260 LBS             |            | 230 LBS             |              | 210 LBS             | STOWED TELE JIB  |

**DEDUCTIONS FROM MAIN BOOM CAPACITIES FOR STOWED JIBS**

**JIB LOAD CAPACITIES**

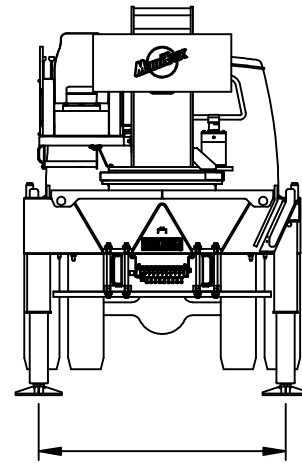
| LOAD RADIUS (FT) REF | 31 FT FIXED JIB LMI CODE 34 |                     | 30.5 FT TELE JIB LMI CODE 19 |                     | 55 FT TELE JIB LMI CODE 22 |                     | LOAD RADIUS (FT) REF |
|----------------------|-----------------------------|---------------------|------------------------------|---------------------|----------------------------|---------------------|----------------------|
|                      | LOADED BOOM ANGLE (DEG)     | LOAD CAPACITY (LBS) | LOADED BOOM ANGLE (DEG)      | LOAD CAPACITY (LBS) | LOADED BOOM ANGLE (DEG)    | LOAD CAPACITY (LBS) |                      |
| 30                   | 80                          | 4000                | 79.5                         | 3300                |                            |                     | 30                   |
| 35                   | 78                          | 3850                | 77.5                         | 3300                | 79.5                       | 2450                | 35                   |
| 40                   | 76                          | 3700                | 76                           | 3300                | 78                         | 2450                | 40                   |
| 45                   | 74                          | 3550                | 74                           | 3300                | 76.5                       | 2450                | 45                   |
| 50                   | 72                          | 3400                | 72                           | 3300                | 75                         | 2450                | 50                   |
| 55                   | 70                          | 3110                | 70.5                         | 2490                | 73                         | 2450                | 55                   |
| 60                   | 68                          | 2410                | 68.5                         | 1790                | 71.5                       | 2450                | 60                   |
| 65                   | 66                          | 1830                | 66.5                         | 1210                | 70                         | 1930                | 65                   |
| 70                   | 64                          | 1340                | 64.5                         | 720                 | 68                         | 1430                | 70                   |
| 75                   | 62                          | 920                 |                              |                     | 66                         | 1010                | 75                   |
| 80                   | 60                          | 560                 |                              |                     | 64.5                       | 640                 | 80                   |
| 85                   |                             |                     |                              |                     |                            |                     | 85                   |

# RANGE DIAGRAM - FULLY RETRACTED OUTRIGGER CONFIGURATION -



**NOTE :** LIFTING PERSONNEL WITH CRANE IN THIS OUTRIGGER CONFIGURATION IS STRICTLY PROHIBITED. USE ONLY FULLY EXTENDED OUTRIGGER CONFIGURATION WHEN LIFTING PERSONNEL.

**USE THIS CHART  
ONLY WHEN ALL  
OUTRIGGERS ARE  
FULLY RETRACTED**



85.75 REF  
(7'-1.75 REF)

**- FULLY RETRACTED OUTRIGGER CONFIGURATION -**

| MAIN BOOM LMI CODE 5 |           |                     |           |                     |           |                     |           |                     |           |                     |           |                     |            |                     |                  |
|----------------------|-----------|---------------------|-----------|---------------------|-----------|---------------------|-----------|---------------------|-----------|---------------------|-----------|---------------------|------------|---------------------|------------------|
| LOAD RADIUS (FT)     | 30.833 FT |                     | 47 FT (A) |                     | 58 FT (B) |                     | 69 FT (C) |                     | 80 FT (D) |                     | 91 FT (E) |                     | 102 FT (F) |                     | LOAD RADIUS (FT) |
|                      | ∠         | LOAD CAPACITY (LBS) | ∠         | LOAD CAPACITY (LBS) | ∠         | LOAD CAPACITY (LBS) | ∠         | LOAD CAPACITY (LBS) | ∠         | LOAD CAPACITY (LBS) | ∠         | LOAD CAPACITY (LBS) | ∠          | LOAD CAPACITY (LBS) |                  |
| 5                    | 75        | 80000               |           |                     |           |                     |           |                     |           |                     |           |                     |            |                     | 5                |
| 8                    | 69        | 45710               |           |                     |           |                     |           |                     |           |                     |           |                     |            |                     | 8                |
| 10                   | 64        | 29790               | 74        | 25000               |           |                     |           |                     |           |                     |           |                     |            |                     | 10               |
| 12                   | 60        | 21410               | 72        | 22160               | 76        | 22420               | 79        | 22590               |           |                     |           |                     |            |                     | 12               |
| 15                   | 53        | 14330               | 68        | 15020               | 73        | 15250               | 76        | 15400               | 79        | 15500               |           |                     |            |                     | 15               |
| 20                   | 40        | 8240                | 61        | 8900                | 67        | 9110                | 72        | 9250                | 75        | 9340                | 78        | 9410                | 79         | 9460                | 20               |
| 25                   | 22        | 4930                | 53        | 5630                | 62        | 5830                | 67        | 5960                | 71        | 6050                | 74        | 6110                | 77         | 6160                | 25               |
| 30                   |           |                     | 45        | 3580                | 56        | 3790                | 63        | 3920                | 67        | 4000                | 71        | 4070                | 74         | 4110                | 30               |
| 35                   |           |                     | 36        | 2170                | 49        | 2390                | 58        | 2520                | 63        | 2610                | 68        | 2670                | 71         | 2710                | 35               |
| 40                   |           |                     | 22        | 1130                | 42        | 1370                | 52        | 1500                | 59        | 1590                | 64        | 1650                | 68         | 1690                | 40               |
| 45                   |           |                     |           |                     |           |                     |           |                     | 55        | 820                 | 60        | 880                 | 65         | 920                 | 45               |
| 50                   |           |                     |           |                     |           |                     |           |                     |           |                     |           |                     |            |                     | 50               |
| 55                   |           |                     |           |                     |           |                     |           |                     |           |                     |           |                     |            |                     | 55               |
| 60                   |           |                     |           |                     |           |                     |           |                     |           |                     |           |                     |            |                     | 60               |
| 65                   |           |                     |           |                     |           |                     |           |                     |           |                     |           |                     |            |                     | 65               |
| 70                   |           |                     |           |                     |           |                     |           |                     |           |                     |           |                     |            |                     | 70               |
| 75                   |           |                     |           |                     |           |                     |           |                     |           |                     |           |                     |            |                     | 75               |
|                      | 450 LBS   | 300 LBS             | 240 LBS   | 200 LBS             | 180 LBS   | 160 LBS             | 140 LBS   | STOWED FIXED JIB    |           |                     |           |                     |            |                     |                  |
|                      | 840 LBS   | 560 LBS             | 450 LBS   | 380 LBS             | 330 LBS   | 290 LBS             | 260 LBS   | STOWED TELE JIB     |           |                     |           |                     |            |                     |                  |

**DEDUCTIONS FROM MAIN BOOM CAPACITIES FOR STOWED JIBS**

**NOTES :**

- LIFTING PERSONNEL WITH CRANE IN THIS OUTRIGGER CONFIGURATION IS STRICTLY PROHIBITED. USE ONLY THE FULLY EXTENDED OUTRIGGER CONFIGURATION WHEN LIFTING PERSONNEL.**
- NO JIBS ARE TO BE ERECTED OR USED IN THIS OUTRIGGER CONFIGURATION.**

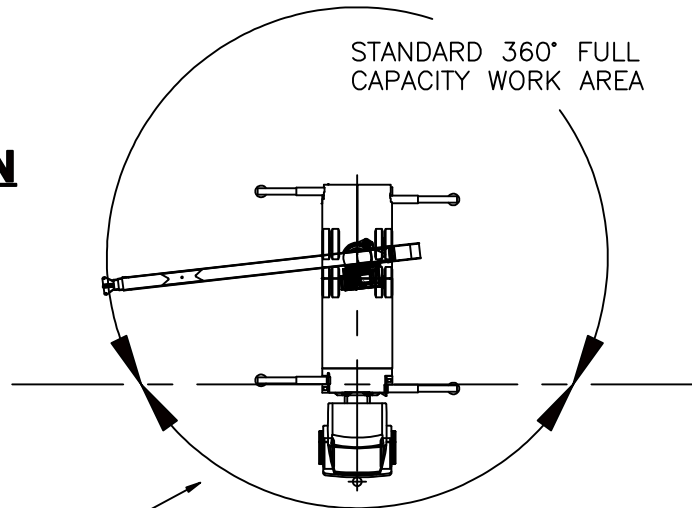


| <b>ALLOWABLE LINE PULL</b> |             |             |             |             |             |             |             | <b>WARNING</b>   |
|----------------------------|-------------|-------------|-------------|-------------|-------------|-------------|-------------|--|
| 1 PART LINE                | 2 PART LINE | 3 PART LINE | 4 PART LINE | 5 PART LINE | 6 PART LINE | 7 PART LINE | 8 PART LINE |  |
|                            |             |             |             |             |             |             |             | <p>ANTI-TWO-BLOCK SYSTEM MUST BE IN GOOD OPERATING CONDITION BEFORE OPERATING CRANE.</p> <p>REFER TO THE OWNER'S MANUAL.</p> <p>KEEP AT LEAST 3 WRAPS OF LOAD LINE ON THE DRUM AT ALL TIMES.</p> |
| 9500 LBS                   | 19000 LBS   | 28500 LBS   | 38000 LBS   | 47500 LBS   | 57000 LBS   | 66500 LBS   | 76000 LBS   | 5/8" ROT RESISTANT (5.0:1 SF) - 47500 LBS MIN BREAKING STRENGTH  |
| 10000 LBS                  | 20000 LBS   | 30000 LBS   | 40000 LBS   | 50000 LBS   | 60000 LBS   | 70000 LBS   | 80000 LBS   | 5/8" 6 X 25 IWRC (3.5:1 SF) - 35000 LBS MIN BREAKING STRENGTH  |

## **AREA OF OPERATION**

### **WARNING:**

THE MACHINE MUST BE LEVEL AND THE FRONT BUMPER STABILIZER MUST BE SET WHEN OPERATING IN THIS AREA.



### **DEDUCTIONS FROM RATED LOADS FOR LOAD HANDLING DEVICES SUPPLIED BY MANITEX**

AUXILIARY BLOCK ----- 50 LBS  
 OVERHAUL BALL ----- SEE OVERHAUL BALL MFRG. NAMEPLATE  
 LOAD BLOCK ----- SEE LOADBLOCK MFRG. NAMEPLATE  
 HOSE REEL ----- 260 LBS  
 SWING AROUND JIBS (STOWED) ----- SEE LOAD CHART

## LMI OPERATING CODES

| SETTING | CRANE CONFIGURATION                                      | OUTRIGGER CONFIGURATION |
|---------|--|-------------------------|
| #1      | — MAIN BOOM  | FULLY EXTENDED          |
| #32     | — FIXED JIB  | FULLY EXTENDED          |
| #7      | — TELESCOPIC JIB—RETRACTED                               | FULLY EXTENDED          |
| #13     | — TELESCOPIC JIB—EXTENDED                                | FULLY EXTENDED          |
| #25     | — PERSONNEL LIFTING PLATFORM ON MAIN BOOM                | FULLY EXTENDED          |
| #33     | — PERSONNEL LIFTING PLATFORM ON FIXED JIB                | FULLY EXTENDED          |
| #26     | — PERSONNEL LIFTING PLATFORM ON TELESCOPIC JIB—RETRACTED | FULLY EXTENDED          |
| #29     | — PERSONNEL LIFTING PLATFORM ON TELESCOPIC JIB—EXTENDED  | FULLY EXTENDED          |
| #4      | — MAIN BOOM  | INTERMEDIATE            |
| #34     | — FIXED JIB  | INTERMEDIATE            |
| #19     | — TELESCOPIC JIB—RETRACTED                               | INTERMEDIATE            |
| #22     | — TELESCOPIC JIB—EXTENDED                                | INTERMEDIATE            |
| #5      | — MAIN BOOM  | FULLY RETRACTED         |

### **WARNING**

1. THE OPERATOR MUST READ AND UNDERSTAND THE OWNER'S MANUAL BEFORE OPERATING THIS CRANE.
  
2. POSITIONING OR OPERATION OF CRANE BEYOND AREAS SHOWN ON THIS CHART IS NOT INTENDED OR APPROVED EXCEPT WHERE SPECIFIED IN OWNER'S MANUAL.
  
3. LOADED BOOM ANGLES AT SPECIFIED BOOM LENGTHS GIVE ONLY AN APPROXIMATION OF THE OPERATING RADIUS. THE BOOM ANGLE BEFORE LOADING SHOULD BE GREATER TO ACCOUNT FOR DEFLECTIONS. DO NOT EXCEED THE OPERATING RADIUS FOR RATED LOADS.
  
4. THE OPERATING RADIUS SHOWN IN THE JIB RATING CHART IS FOR FULLY EXTENDED BOOM ONLY. WHEN BOOM IS NOT FULLY EXTENDED, USE ONLY LOADED BOOM ANGLE TO DETERMINE LOAD RATING OF JIB.
  
5. FOR BOOM ANGLES NOT SHOWN ON JIB LOAD RATING CHART, USE RATING OF NEXT LOWER BOOM ANGLE.
  
6. FOR BOOM LENGTHS NOT SHOWN, USE RATING OF NEXT SHORTER OR LONGER BOOM LENGTH, WHICHEVER IS LESS. FOR RADII NOT SHOWN, USE RATING OF NEXT LONGER RADIUS.
  
7. CRANE LOAD RATINGS ON OUTRIGGERS ARE BASED ON FREELY SUSPENDED LOADS WITH THE MACHINE LEVELED AND STANDING ON A FIRM UNIFORM SUPPORTING SURFACE. NO ATTEMPT SHALL BE MADE TO MOVE A LOAD HORIZONTALLY ON THE GROUND IN ANY DIRECTION.

## **WARNING (CONTINUED)**

8. PRACTICAL WORKING LOADS DEPEND ON SUPPORTING SURFACE, WIND, AND OTHER FACTORS AFFECTING STABILITY SUCH AS HAZARDOUS SURROUNDINGS, EXPERIENCE OF PERSONNEL, AND PROPER HANDLING, ALL OF WHICH MUST BE TAKEN INTO ACCOUNT BY THE OPERATOR.
9. THE MAXIMUM LOAD WHICH MAY BE TELESCOPED IS LIMITED BY HYDRAULIC PRESSURE, BOOM ANGLE, AND BOOM LUBRICATION. IT IS SAFE TO ATTEMPT TO TELESCOPE ANY LOAD WITHIN THE LIMITS OF THE LOAD RATING CHART.
10. LIFTING OFF THE MAIN BOOM POINT WHILE THE SWING AROUND JIB IS ERECTED IS NOT INTENDED OR APPROVED.

## **INFORMATION**

1. DEDUCTIONS MUST BE MADE FROM RATED LOADS FOR STOWED JIB, OPTIONAL ATTACHMENTS, HOOKS, AND LOAD BLOCKS (SEE DEDUCTION CHART). WEIGHTS OF SLINGS AND ALL OTHER LOAD HANDLING DEVICES SHALL BE CONSIDERED A PART OF THE LOAD.
2. LOAD RATINGS ABOVE THE HEAVY LINE ARE STRUCTURALLY LIMITED CAPACITIES. LOAD RATINGS BELOW THE HEAVY LINE ARE STABILITY LIMITED CAPACITIES AND DO NOT EXCEED 85% OF TIPPING.

## **DEFINITIONS**

1. OPERATING RADIUS IS THE HORIZONTAL DISTANCE FROM THE AXIS OF ROTATION TO THE CENTER OF THE VERTICAL HOIST LINE OR TACKLE WITH LOAD APPLIED.
2. LOADED BOOM ANGLE AS SHOWN IN THE COLUMN HEADED BY  $\angle$ , IS THE INCLUDED ANGLE BETWEEN THE HORIZONTAL AND LONGITUDINAL AXES OF THE BOOM BASE AFTER LIFTING RATED LOAD AT RATED RADIUS.