



30112S

### STANDARD COMPONENTS INCLUDE:

Boom, boom hoist cylinder, 2-speed winch, load line and 5 ton (4,5 mt) overhaul ball, turret, ride-around operator control station with seat, LMI & ATB protection systems, sub-frame with access ladders and integrated radio remote controlled outriggers with 22" (559 mm) removable aluminum floats, hydraulic reservoir and boom rest.

### HYDRAULICS

- 8-Bolt direct mounted PTO with SAE B or SAE BB output
- Three-section gear pump, SAE BB input (standard)

Pump Section	2000 RPM	2000 RPM
Shaft End Pump:	32.4 GPM @ 100 PSI	123 LPM @ 100 PSI
Center Pump:	20.6 GPM @ 100 PSI	78 LPM @ 100 PSI
Cover End Pump:	10 GPM @ 100 PSI	38 LPM @ 100 PSI

- Hydraulic reservoir - 70 gallon (265 liter) capacity

### WARNING SYSTEMS

- LMI with display and crane function shut-offs for overload protection
- Radio anti-two block system

### OPTIONS

- 14' (4,3 m) Flatbed - wood or steel
- 24" (610 mm) Bulkhead
- 26' (7,9 m) - 46' (14 m) 2-Section telescopic jib
- Rotation resistant wire rope, 9/16" (14,3 mm) diameter
- Load block - 1 & 3 sheave options
- Operator cab with diesel heater, air conditioner (hydraulic) upgrade option
- Three section vane pump, SAE B input

### BOOM

- 30 Ton (27,2 mt) capacity @ 5' (1,5 m) radius
- 4-Section 112' (34,1 m) proportional boom
- 5-Sheave quick reeve boom point

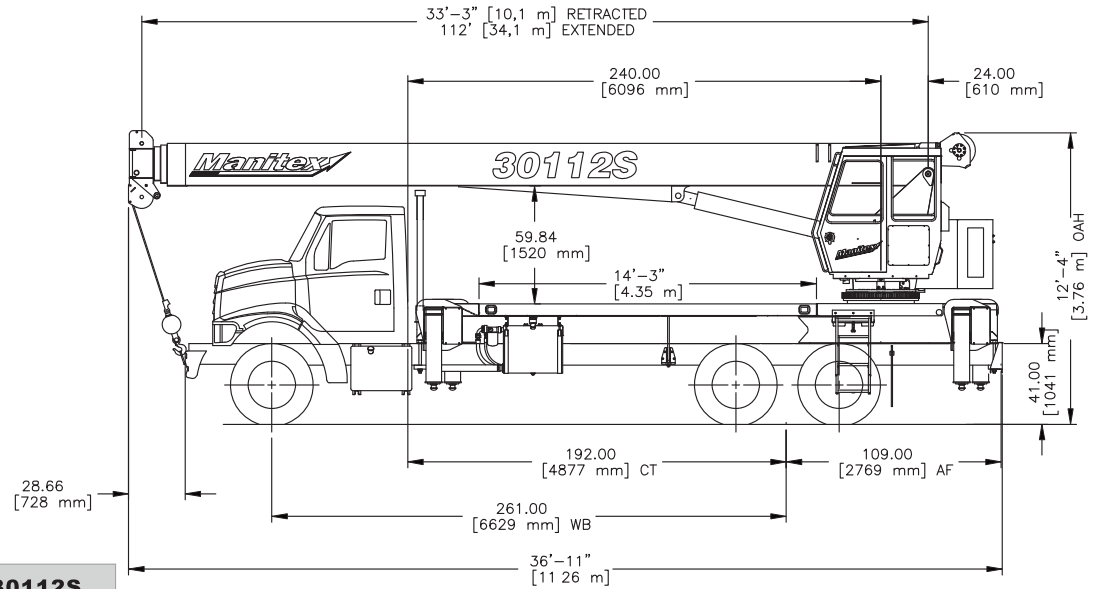
### HOIST

- Maximum theoretical line speed 300 fpm (91 mpm)
- Maximum theoretical bottom-layer line pull 11,500 lb (5,216 kg)
- Wire Rope – 335' (102,1 m) of 9/16" (14,3 mm) diameter 6 x 25 EIPS IWRC

*In order to ensure continuous improvement, Manitex reserves the right to change design and specifications without notice.*

- Hydraulic oil cooler
- Hose reel - boom mounted
- Toolboxes
  - 24" L x 20" W x 18" H (610 mm x 508 mm x 457 mm)
  - 48" L x 18" W x 18" H (1220 mm x 457 mm x 457 mm)
- 2-Person gravity leveled non-rotating basket
- 2-Person gravity leveled rotating (manual) basket
- 4-Function radio remote crane control system

MTX-30112S-SS-EN-V3-1111



CHASSIS DATA	30112S
Wheelbase (WB)	261" 6 629 mm
Cab to Tandem (CT)	192" 4 877 mm
After Frame (AF)	301" 7 645 mm
Frame Section Modulus	22.0 in <sup>3</sup> 110,000 psi 758 422 kPa
Front Axle Gross Weight Rating	20,000lb 9 790 kg
Rear Axle Gross Weight Rating	40,000lb 19 580 kg
Minimum Truck Axle Weight - Front**	8,300lb 3 765 kg
Minimum Truck Axle Weight - Back**	8,500lb 3 856 kg
Nominal Frame Width	34-35" 863-889 mm

\*\*Minimum chassis weight is required to meet 85% stability requirements. Chassis data is general - not for engineering. Some dimensions depend on truck selection.

WEIGHTS	30112S
Crane Without Cab	27,556 lb 13,488 kg
Cab Alone	575 lb 261 kg
14' (4,27 m) Flat Bed	1,260 lb 572 kg
26' (7,92 m) Fixed Length Jib	832 lb 377 kg
26'-46' (7,92 m-14,2 m) Telescopic Jib	1,226 lb 556 kg

MAXIMUM TIP HEIGHT (A)	30112S
Configuration	Boom 112' 34,1 m
Extended Boom	122' 37,2 m
Fixed or Retracted Jib	148'-3" 45,2 m
Extended Jib	168' 51,2 m

